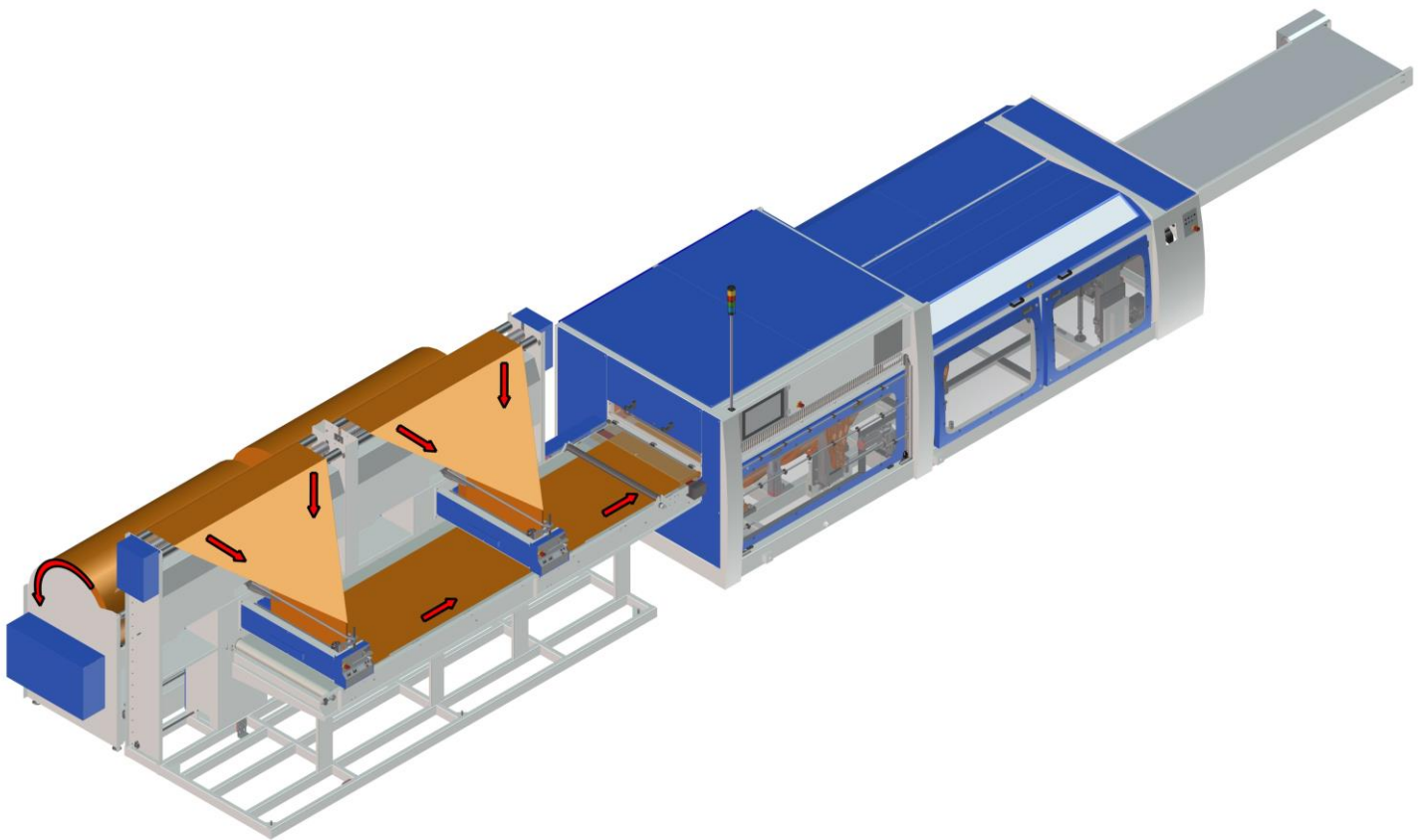
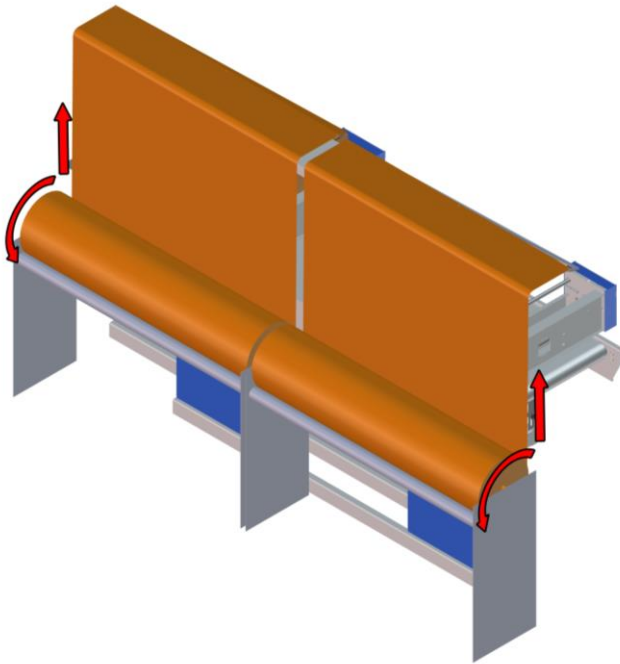


Open Fabric

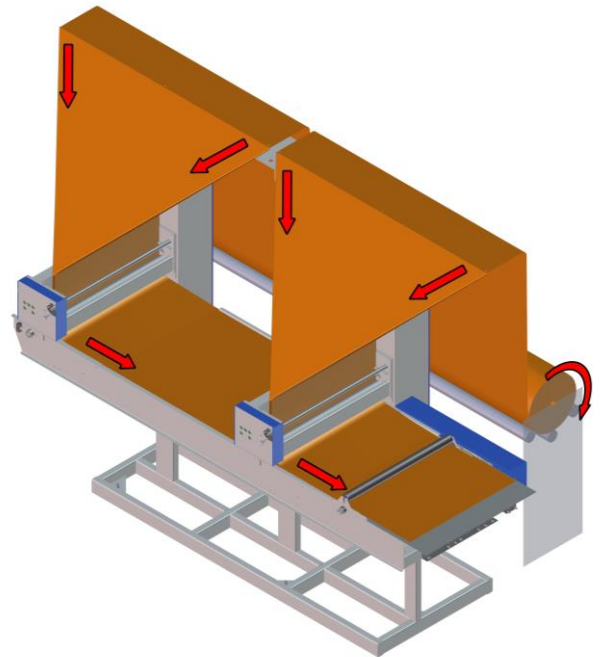
Innovative automatic cutting system developed to process many types of materials in different market sectors, such as: Medical, textile and personal protective equipment (PPE)



One more step to the future



Motorized unwinding



Folding

Thanks to its new technology, the machine is able to minimize the distortions and tensions of the material through motorized unwinding rolls. In addition, the photo-eye sensors can precisely align the edges of the fabric, guaranteeing the most accurate cut possible.

- ❖ Maximum cutting quality and savings in operative costs
- ❖ New remote assistance technology to provide our customers with the best support
- ❖ ConveyORIZED feeding